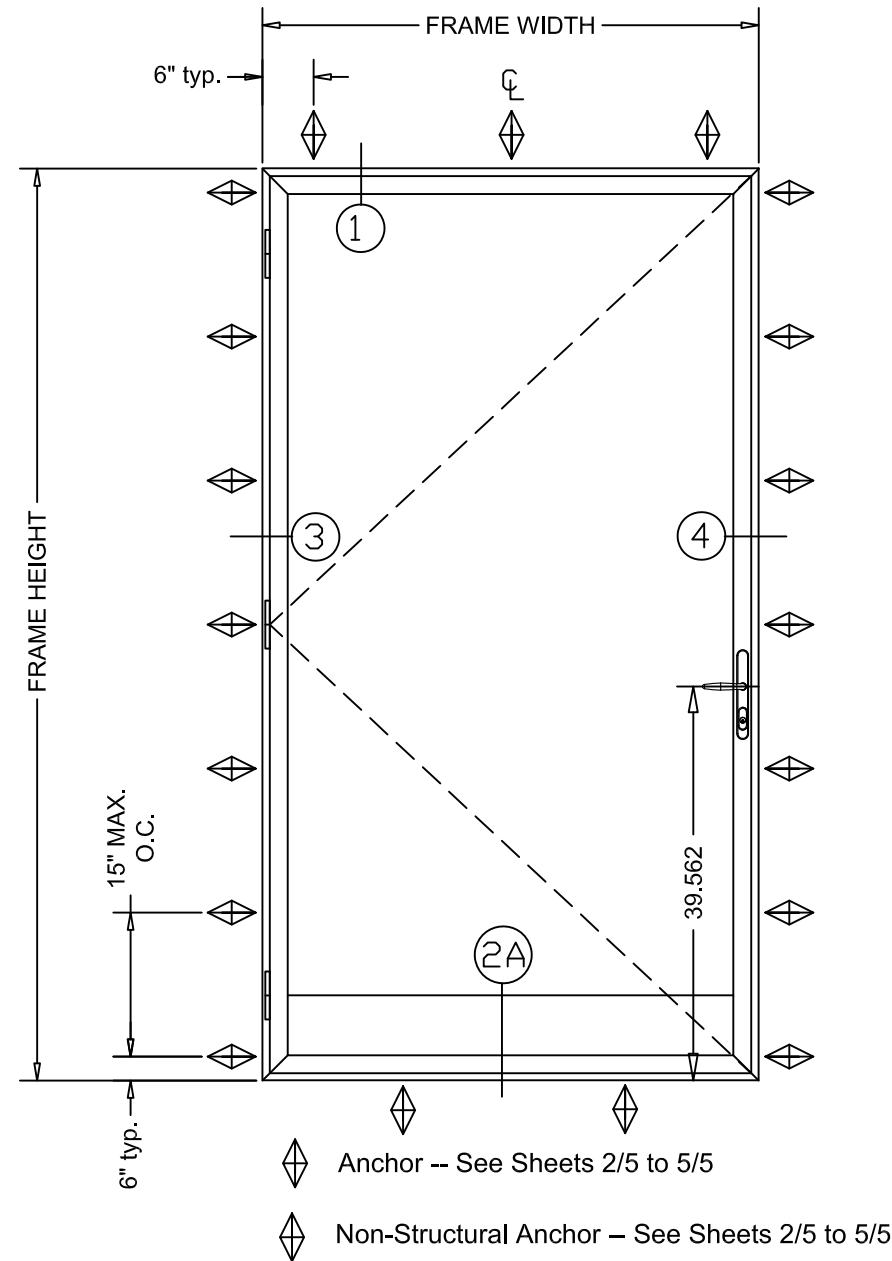


M600 Outswing Terrace Door w/ Low Profile Sill



Mark A Low Profile Sill

Maximum Sizes and Design Pressure				
FW	FH	DOOR-W	DOOR-H	Pressure
48"	96"	46 1/16"	94 1/16"	± 50 PSF
DAYLIGHT OPENING		38 1/16"	80 13/16"	

Minimum Glazing
 1" Insulating Glass
 EXT - 3/16" Tempered Glass
 INT - 3/16" Tempered Glass

NOTES:

- Installations depicted satisfy the requirements of the Florida Building Code, Building 8th; Edition (2023) for design wind pressures and overall sizes noted.
- Wood bucks, wood framing, steel stud framing, concrete and concrete masonry are by others and shall be designed by the architect or engineer of record to resist the loads imparted to them.
- Wood bucks and wood framing are assumed SYP (G=0.55) or denser. Buck width shall be greater than the door frame width. Tapered or partial width buck strips are not allowed.
- Steel stud frames are assumed to be a minimum 18 gauge 33 KSI steel.
- Concrete masonry (CMU) shall conform to ASTM C90
- Concrete shall be minimum $f'c = 3,000$ psi
- Wood screws shall meet requirements of ANSI/ASME B18.6.1.
- TEKS screws shall be ASTM A510 Grade 1018 or equivalent.
- Hilti Kwik-Con + anchors as specified in NOA 21-0628.20.
- Maximum shim thickness 1/4".
- Products are not impact resistant and require an approved protection device if used in windborne debris regions.
- Not for use in High Velocity Hurricane Zone (HVHZ).

Tanya A. Dolby, P.E.
 FL P.E. No. 93536
 Intertek – ATI
 130 Derry Ct. York, PA 17406
 (717) 764-7700
 Project: Q7220.01

CONTENTS

Sheet 1/5 Elevations and Notes
 Sheets 2/5 - 5/5 Installation Details

Project Name: **M600 OS TERRACE DOOR W/LOW PROFILE SILL**

INSTALLATION INSTRUCTIONS

Description: **ELEVATIONS AND NOTES**

QUAKER WINDOW PRODUCTS	By:	By:	By:
WILL NOT BE RESPONSIBLE FOR FIELD MEASUREMENT, QUANTITIES, & INSTALLATION DESIGN. CONTRACTOR MUST VERIFY ALL DIMENSIONS.	Date:	Date:	Date:
	Revision #:	Revision #:	Revision #:

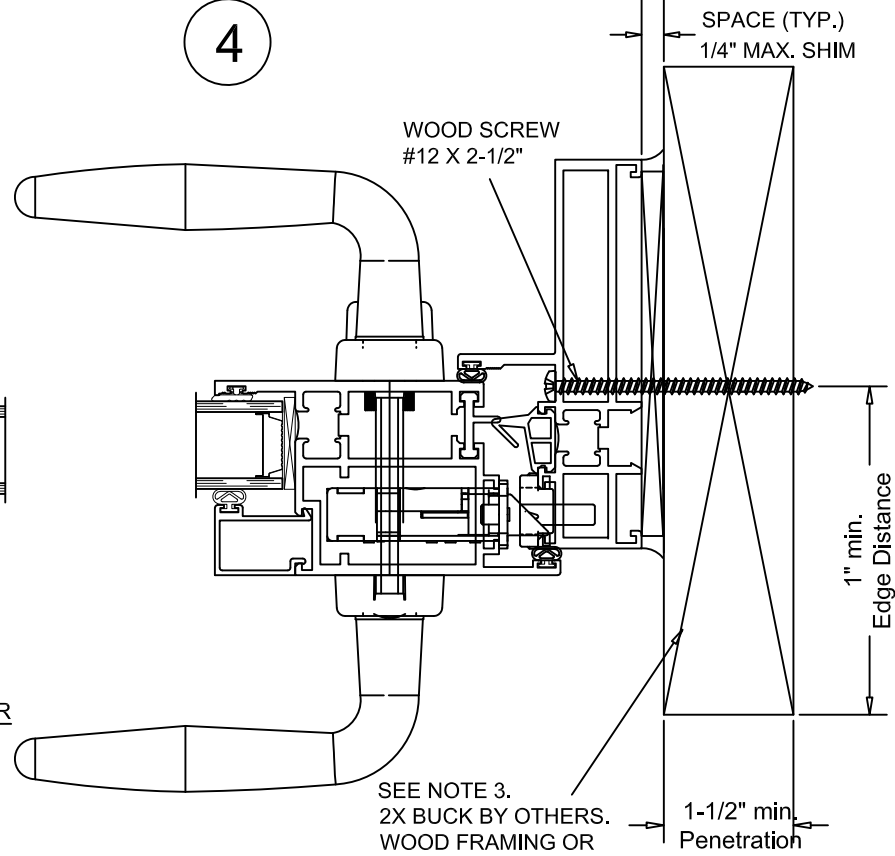
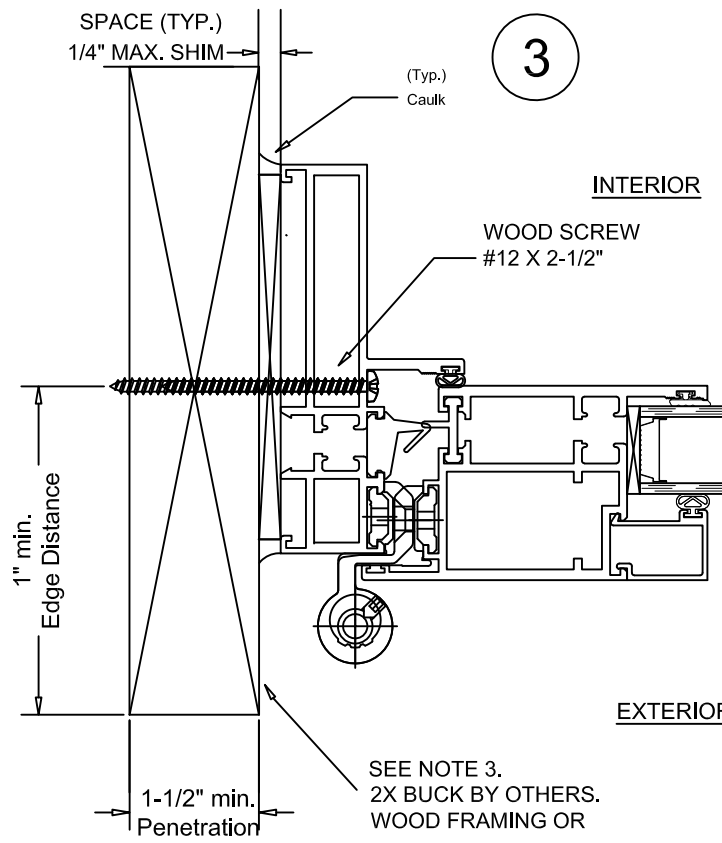
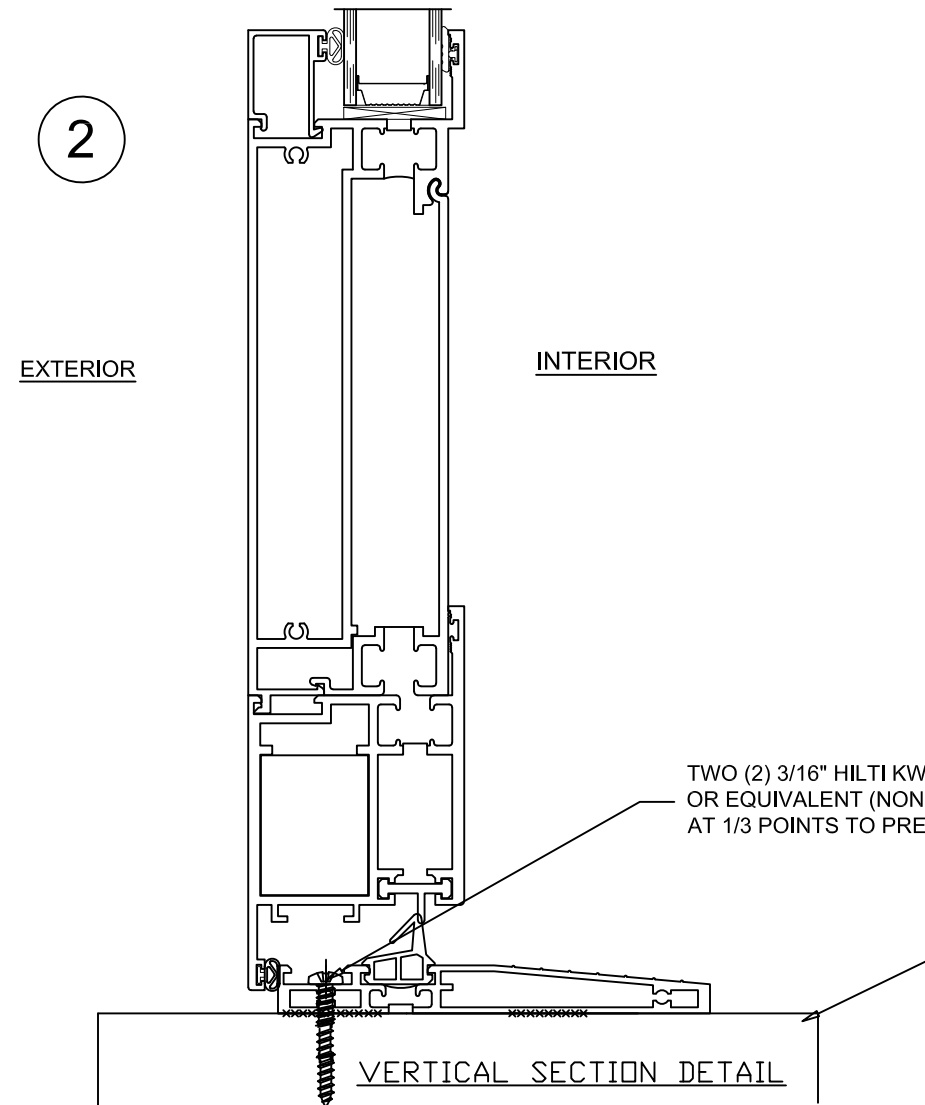
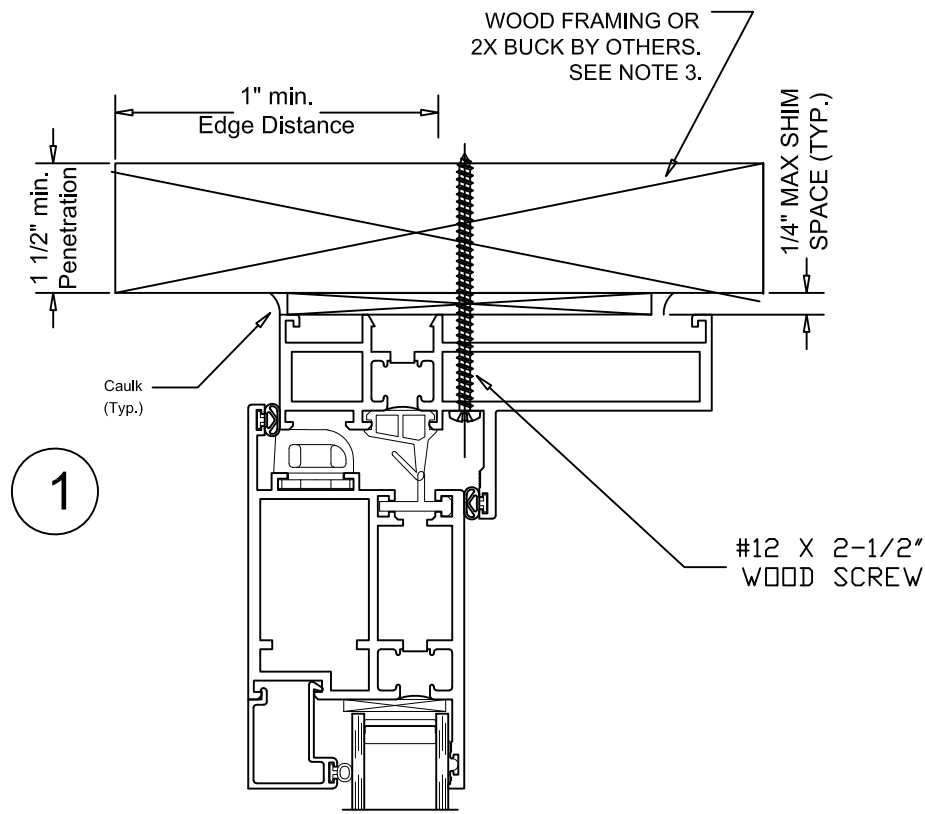
PHONE (573)-744-5211
 FAX (573)-744-5586
 COMMERCIAL
 FAX (573)-744-5822
 www.quakerwindows.com

Scale: **NONE**
 Sheet #: **1 of 5**

504 Highway 63 South
 Freeburg, MO 65035
 drafting@quakerwindows.com

Drawn By: **BUD**
 Date: **11-13-2023**





HORIZONTAL SECTION DETAIL
WOOD FRAMING ON CONCRETE SLAB

VERTICAL SECTION DETAIL

TWO (2) 3/16\" HILTI KWIK CON
OR EQUIVALENT (NON-STRUCTURAL)
AT 1/3 POINTS TO PREVENT SILL MOVEMENT

CONCRETE SLAB
SET THRESHOLD IN SEALANT AND

Project Name: **M600 OS TERRACE DOOR W/LOW PROFILE SILL**

INSTALLATION INSTRUCTIONS

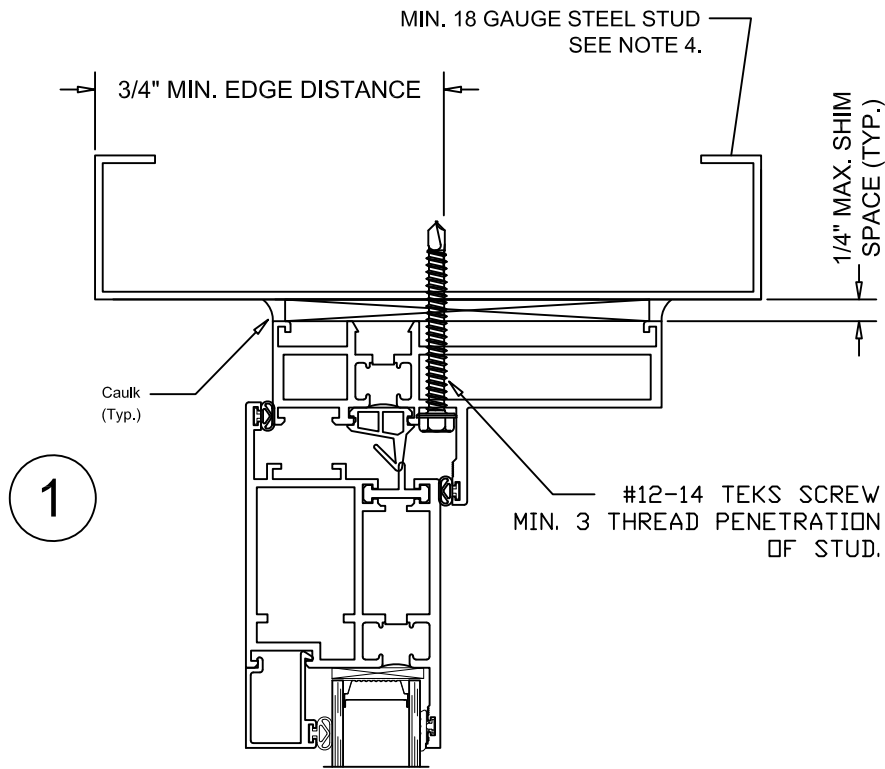
INSTALLATION DETAILS <small>QUAKER WINDOW PRODUCTS WILL NOT BE RESPONSIBLE FOR FIELD MEASUREMENT, QUANTITIES, & INSTALLATION DESIGN. CONTRACTOR MUST VERIFY ALL DIMENSIONS.</small>	By:	By:	By:
	Date:	Date:	Date:
	Revision #:	Revision #:	Revision #:

PHONE (573)-744-5211
 FAX (573)-744-5586
 COMMERCIAL
 FAX (573)-744-5822
 www.quakerwindows.com
 Scale: NONE
 Sheet #: 2 of 5

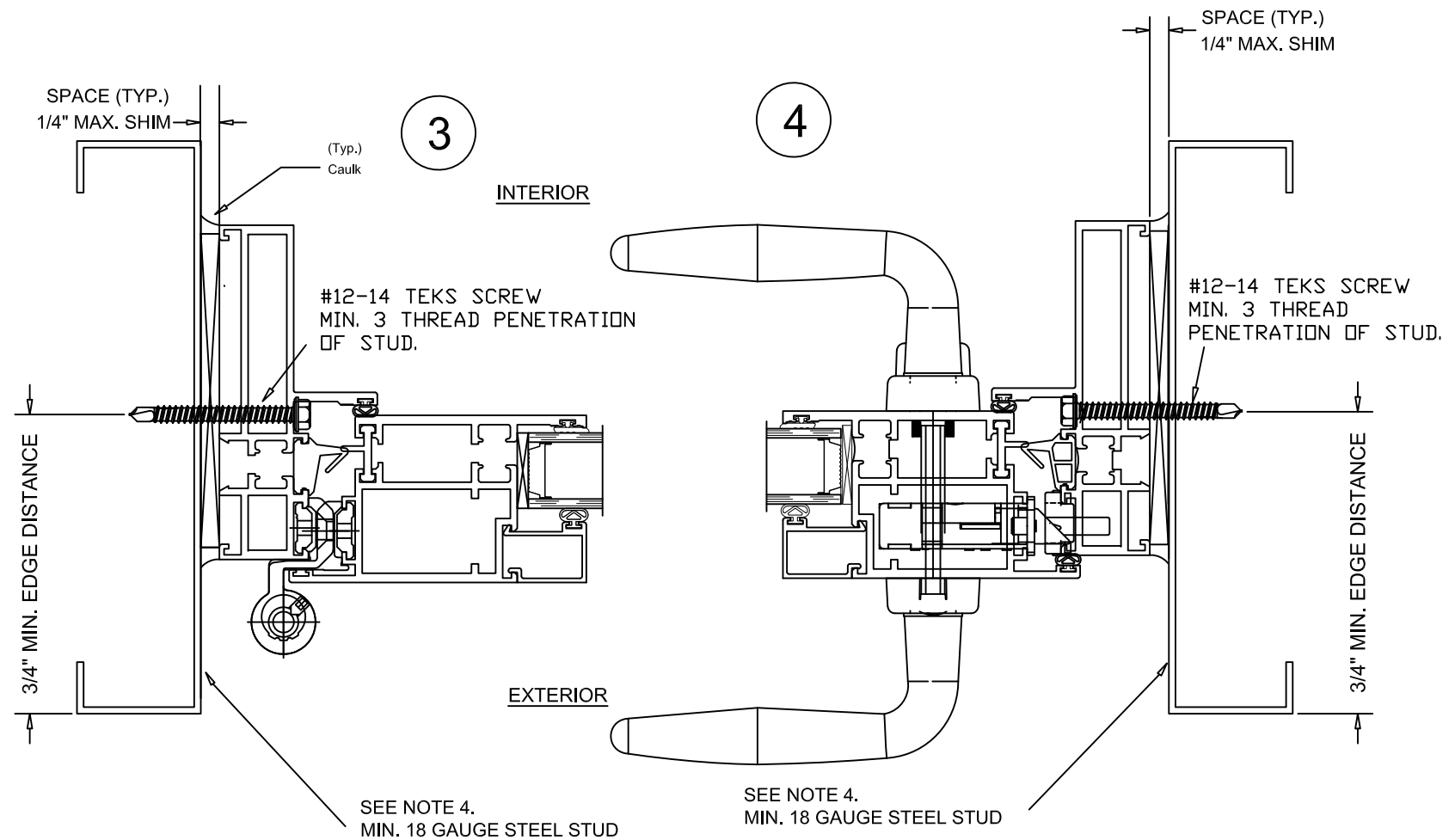
QUAKER
COMMERCIAL WINDOW AND DOOR
 504 Highway 63 South
 Freeburg, MO 65035
 drafting@quakerwindows.com

Drawn By: **BUD**
 Date: **11-13-2023**

Tanya A. Dolby, P.E.
 FL P.E. No. 93536
 Intertek – ATI
 130 Derry Ct. York, PA 17406
 (717) 764-7700
 Project: **Q7220.01**



VERTICAL SECTION DETAIL
STEEL FRAMING ON CONCRETE SLAB



HORIZONTAL SECTION DETAIL
STEEL FRAMING ON CONCRETE SLAB

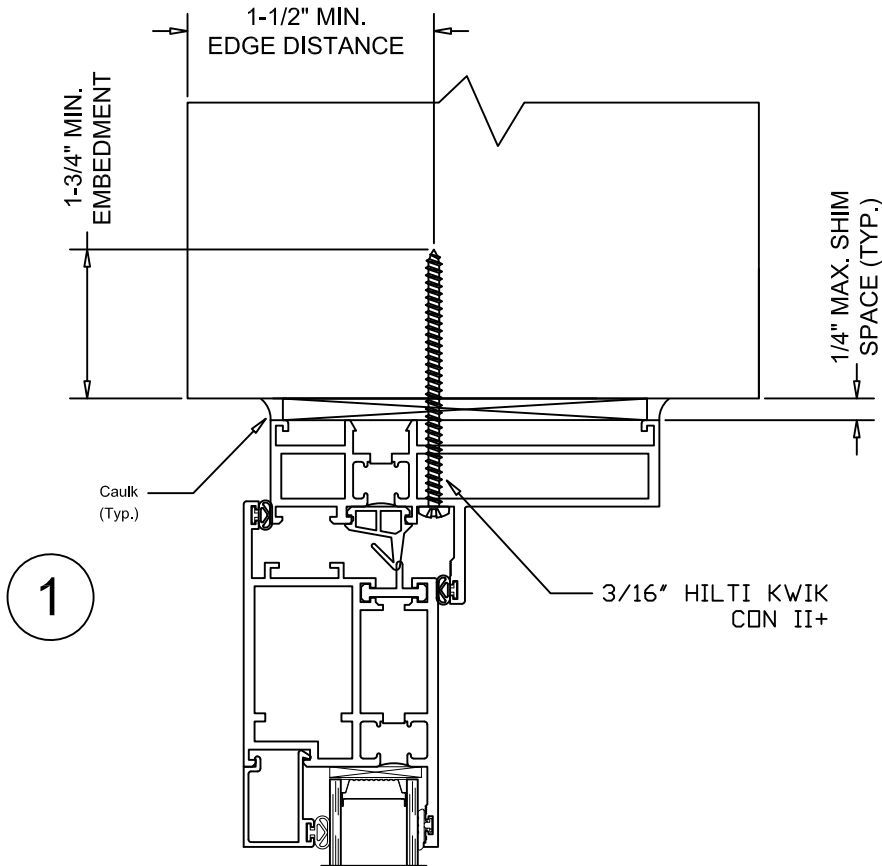
Project Name: **M600 OS TERRACE DOOR
W/LOW PROFILE SILL**

INSTALLATION INSTRUCTIONS

INSTALLATION DETAILS

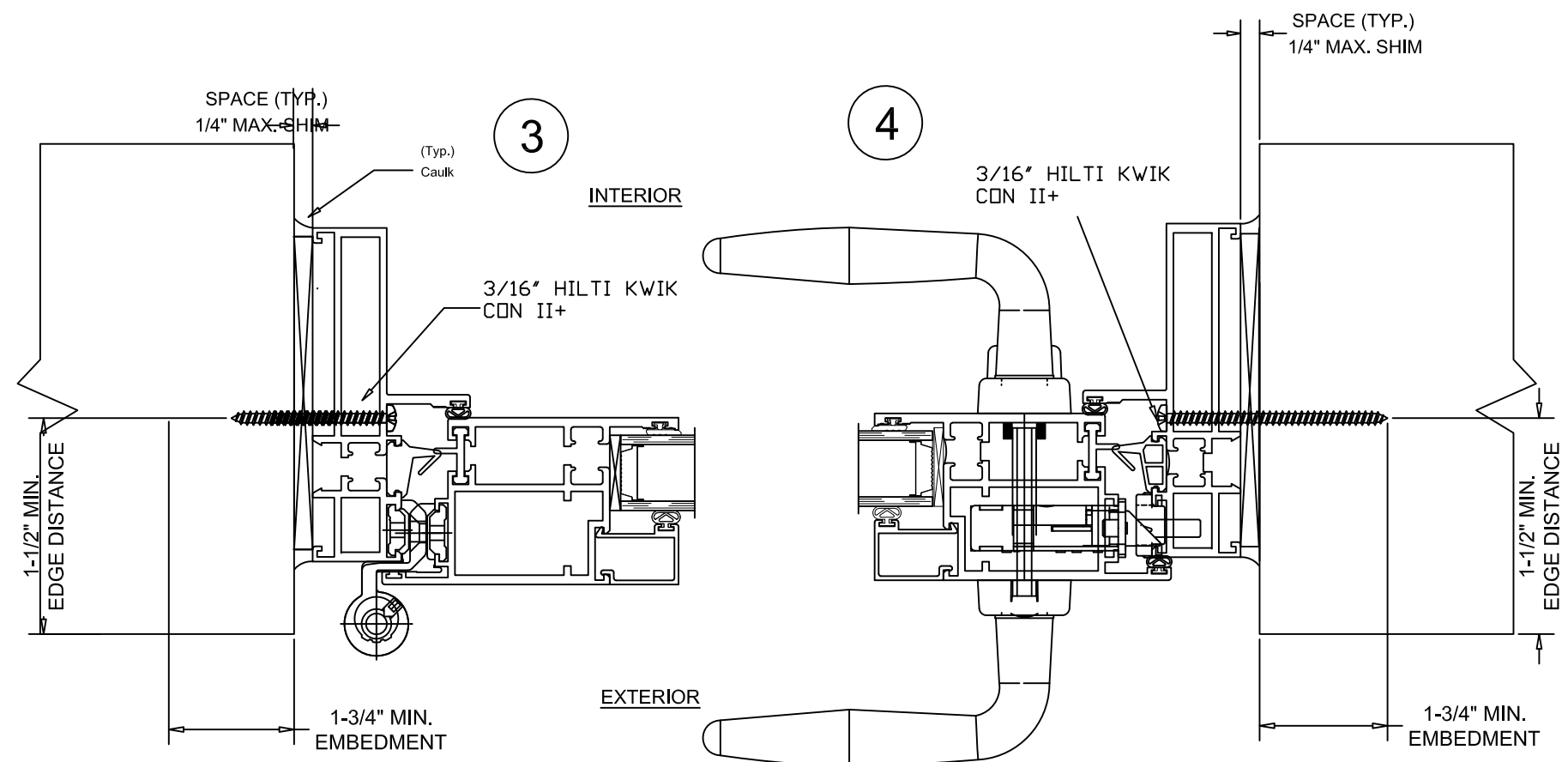
DESCRIPTION:	INSTALLATION DETAILS
QUAKER WINDOW PRODUCTS WILL NOT BE RESPONSIBLE FOR FIELD MEASUREMENT, QUANTITIES, & INSTALLATION DESIGN. CONTRACTOR MUST VERIFY ALL DIMENSIONS.	
PHONE (573)-744-5211 FAX (573)-744-5586 COMMERCIAL FAX (573)-744-5822 www.quakerwindows.com	Scale: NONE
504 Highway 63 South Freeburg, MO 65035 drafting@quakerwindows.com	Sheet #: 3 of 5
Drawn By: BUD	Date: 11-13-2023

Tanya A. Dolby, P.E.
FL P.E. No. 93536
Intertek – ATI
130 Derry Ct. York, PA 17406
(717) 764-7700
Project: Q7220.01



VERTICAL SECTION DETAIL

CONCRETE FRAMING ON CONCRETE SLAB

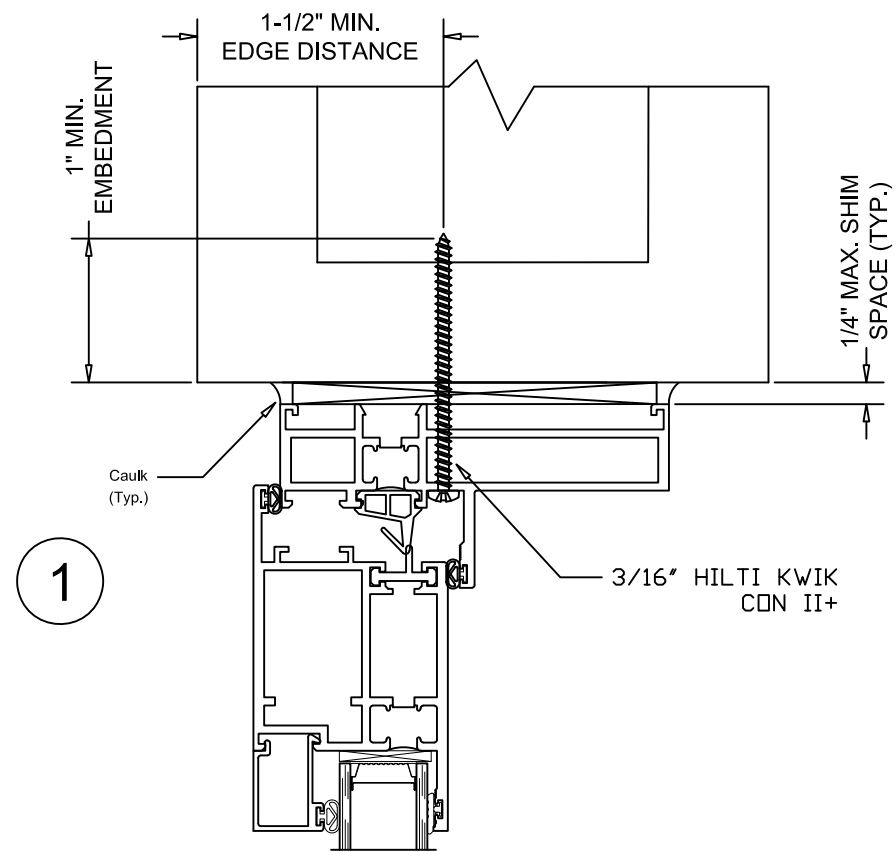


HORIZONTAL SECTION DETAIL

CONCRETE FRAMING ON CONCRETE SLAB

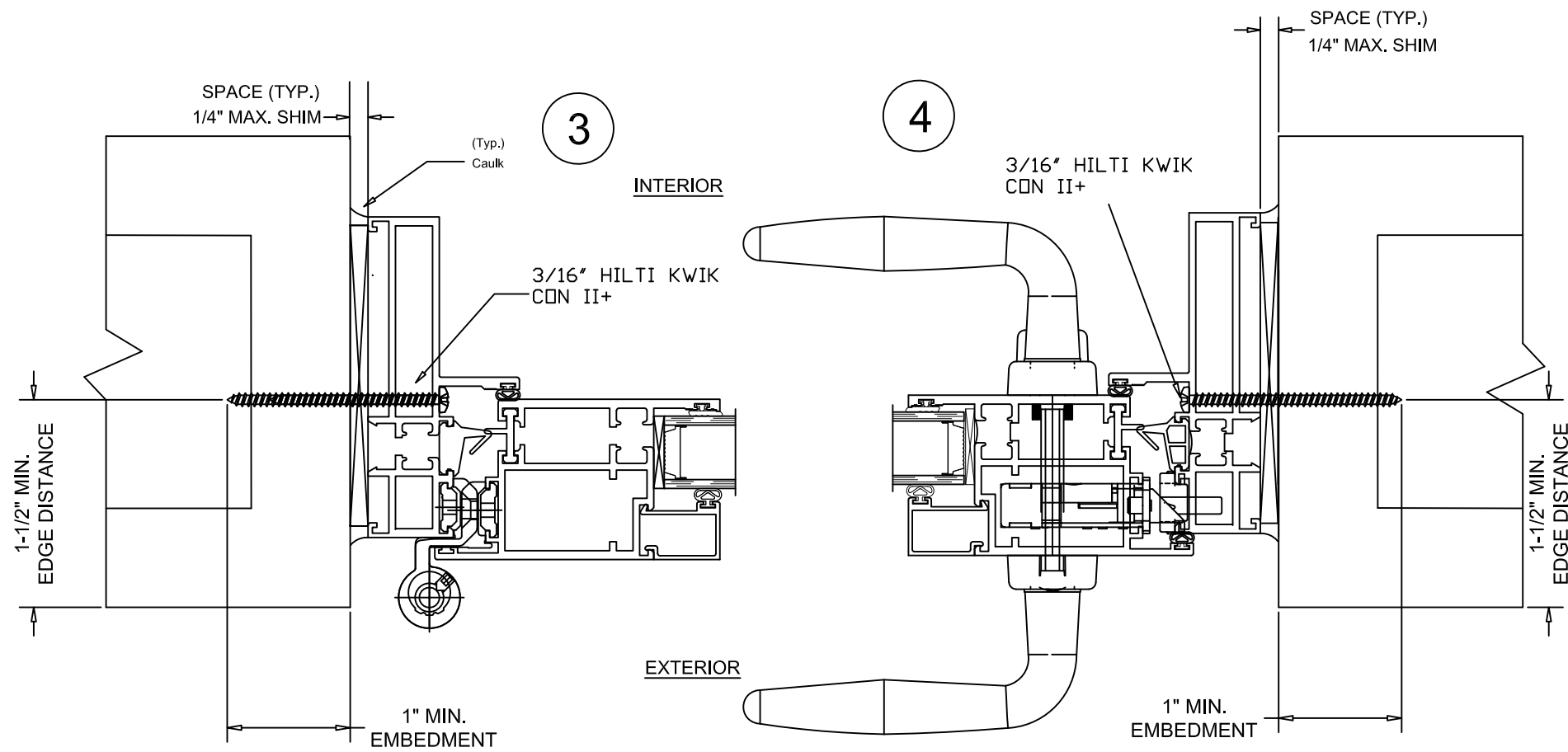
		PHONE (573)-744-5211 FAX (573)-744-5586 COMMERCIAL FAX (573)-744-5822 www.quakerwindows.com		Scale: NONE Sheet #: 4 of 5	
		504 Highway 63 South Freeburg, MO 65035 drafting@quakerwindows.com		Drawn By: BUD Date: 11-13-2023	
Description/Project Name: INSTALLATION DETAILS		QUAKER WINDOW PRODUCTS WILL NOT BE RESPONSIBLE FOR FIELD MEASUREMENT, QUANTITIES, & INSTALLATION DESIGN. CONTRACTOR MUST VERIFY ALL DIMENSIONS.		By: _____ Date: _____ By: _____ Date: _____ By: _____ Date: _____	
M600 OS TERRACE DOOR W/LOW PROFILE SILL		INSTALLATION INSTRUCTIONS			

Tanya A. Dolby, P.E.
 FL P.E. No. 93536
 Intertek – ATI
 130 Derry Ct. York, PA 17406
 (717) 764-7700
 Project: Q7220.01



VERTICAL SECTION DETAIL

CMU FRAMING ON CONCRETE SLAB



HORIZONTAL SECTION DETAIL

CMU FRAMING ON CONCRETE SLAB

Tanya A. Dolby, P.E.
 FL P.E. No. 93536
 Intertek – ATI
 130 Derry Ct. York, PA 17406
 (717) 764-7700
 Project: Q7220.01

INSTALLATION DETAILS QUAKER WINDOW PRODUCTS WILL NOT BE RESPONSIBLE FOR FIELD MEASUREMENT, QUANTITIES, & INSTALLATION DESIGN. CONTRACTOR MUST VERIFY ALL DIMENSIONS.		Description: M600 OS TERRACE DOOR W/LOW PROFILE SILL INSTALLATION INSTRUCTIONS
PHONE (573)-744-5211 FAX (573)-744-5586 COMMERCIAL FAX (573)-744-5822 www.quakerwindows.com	Scale: NONE	Sheet #: 5 of 5
504 Highway 63 South Freeburg, MO 65035 drafting@quakerwindows.com	Drawn By: BUD	Date: 11-13-2023
By: _____ Date: _____	By: _____ Date: _____	By: _____ Date: _____